

# Keg Commander Dual-Head Keg Washer



## General Description

This automatic dual-head keg washer is engineered for ease of use and maximum production. All your operator has to do is load the kegs and initiate the start cycle, the rest of the cleaning operation is completely automatic. This allows staff to focus on other assignments.

The cleaning cycles come pre-programmed, but are completely adjustable to fit your specific needs.



Front View

A.B.E.'s Keg Commander is adjustable and easy to use!

The Keg Commander, like all A.B.E., equipment is designed by our engineers for maximum efficiency, ease of operation and long life. Clean kegs are what you want and the Keg Commander delivers consistently with a minimum of manual labor. This frees you to do other operations in the brewery.

### The Keg Commander five-step cleaning process:

- 1) Beer Drain - any remaining beer in the keg is drained.
- 2) Keg Rinse - this cycle helps to maximize the effectiveness of the cleaning agent.
- 3) Super Clean - the heated high pressure wash combined with the cleaning agent ensures the kegs are thoroughly cleaned. The wash water is recaptured for maximum efficiency.
- 4) Keg Rinse - a second rinse cycle ensures cleaning agent is properly purged.
- 5) Final Purge - any remaining water or air is evacuated and the keg is pressurized with CO<sub>2</sub>.



Rear View

## Product Details

**BRAND NAME:** Keg Commander (30 KPH)  
**PACKAGING DETAILS:** Set for freight shipping.

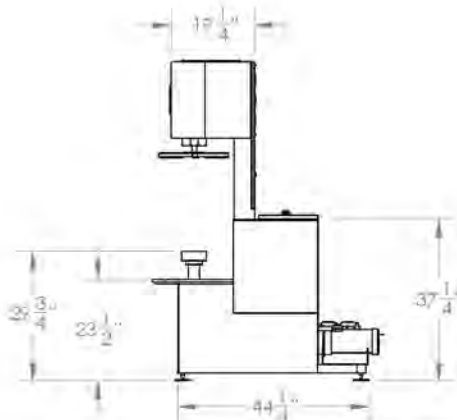
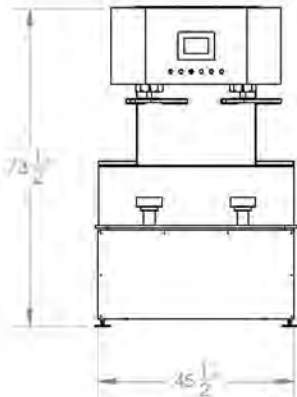
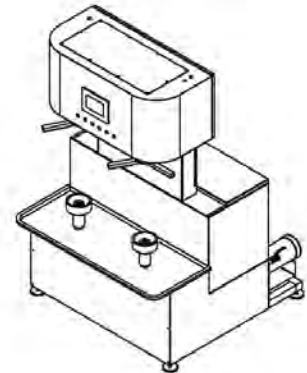
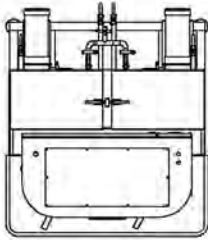
**WASH TANK CAPACITY:** 25-30 Gallons  
**APPLICATION:** Brewery  
**VOLTAGE:** 208-240 Volts  
**ELECTRICAL REQUIREMENTS:** 37 AMP, 3-PHASE  
**MATERIAL:** 304 Stainless Steel  
**FEED WATER PRESSURE:** 50 PSI  
**FEED AIR PRESSURE:** 80 PSI @ 10 SCFM  
**AIR DRAIN PRESSURE:** 40 PSI  
**CO2 PRESSURE:** 40 PSI  
**MACHINE WEIGHT:** 485 pounds  
**Operating Mode:** Automatic, PLC, touch screen

### SYSTEM DIMENSIONS

- **DEPTH:** 44.25" (112.395 cm)
- **WIDTH:** 45.5" (115.57 cm)
- **HEIGHT:** 73.5" (186.69 cm)
- **WEIGHT:** APPROX. 500 POUNDS (227 kg)

### GENERAL SPECIFICATIONS

- **STAINLESS STEEL CONSTRUCTION, INCLUDING PIPING**
- **16-STEP CLEANING PROCESS WITH ADJUSTABLE STEP TIMING.**
- **INDEPENDENT TEMPERATURE CONTROLS FOR EACH SOLUTION TANK**
- **LARGE 6-INCH COLOR TOUCH SCREEN MAKES SETTING CHANGES SIMPLE AND USEFUL INFORMATION EASILY VISIBLE**



DRAWN BY:	SV	AMERICAN BEER EQUIPMENT	
DRAWN DATE:	1-27-2015	<small>2001 SW 11th St. - Lincoln, NE - 68502 (402) 441-3737</small>	
UNLESS OTHERWISE SPECIFIED: DIMENSIONS ARE IN INCHES TOLERANCES: ±0.0625		ASSEMBLY <b>KEG WASHER</b>	
PROPRIETARY AND CONFIDENTIAL THE INFORMATION CONTAINED IN THIS DRAWING IS THE SOLE PROPERTY OF AMERICAN BEER EQUIPMENT		SIZE <b>A</b>	PART NO
3RD ANGLE		SCALE: 1:32	ASSY REV.: <b>B</b>
LAST SAVED BY:		LAST SAVED ON:	
		SHEET 1 OF 1	